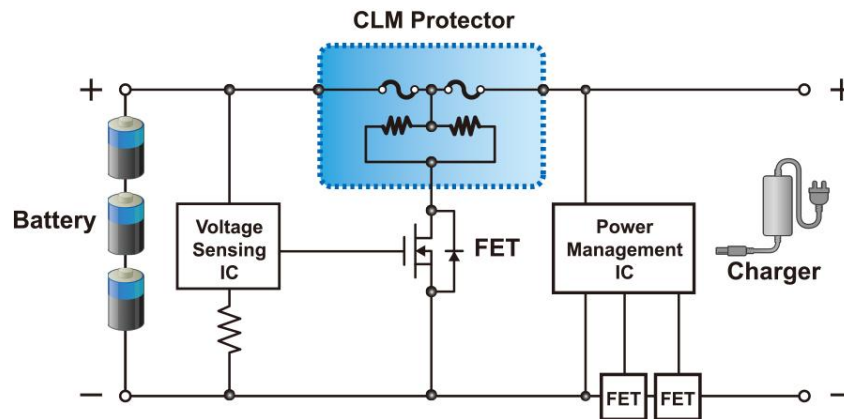


Current Limiting Module Application

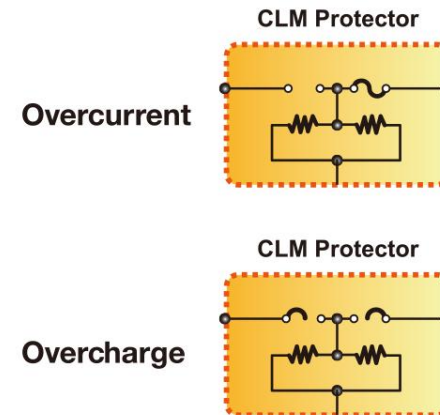
The CLM is a chip type surface mountable device that can protect against both over-current and over-charging.



• Normal Condition



• Abnormal Condition



Major application: Notebook, cell phone, wireless cleaner, power tool, tablet PC, camera, printer, security systems, automotive applications, etc.